

**PRODUCT TECHNICAL SHEET**

Collection : **1935**

Ref. : **1935.--.13-XX**

Mélangeur cuisine 2 trous, douchette poignée poussoir, inverseur automatique et grand bec mobile 235mm

2-gats keukenmengkraan, handdouche met drukknop, automatische omschakelaar en grote draaibare uitloop 235mm

2-hole kitchen mixer, handshower with pusher, automatic diverter and great swivel spout 235mm

**Picture**



**Product details**

Weight : 3,5 kg

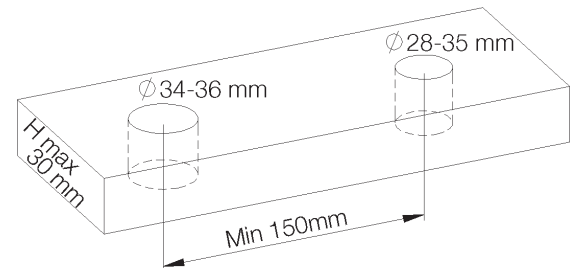
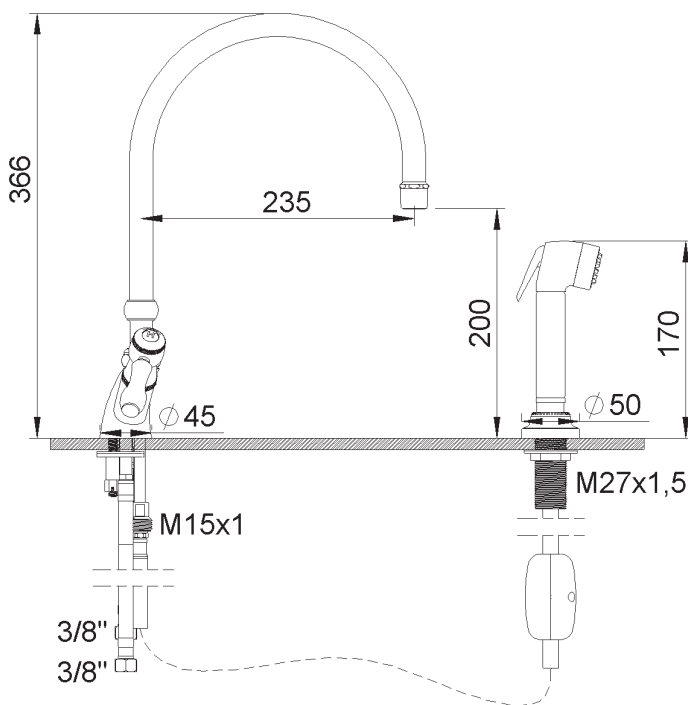
Flow at 3 bar : Restricted 9 l/min

Internal mechanism : Ceramic valve 1/4 turn

Diverter : Automatic pressure diverter

Note : Handshower hose 1,5m

**Technical drawing**



RB1.V01